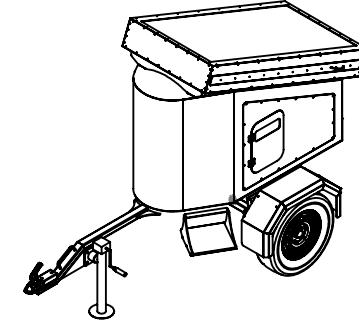
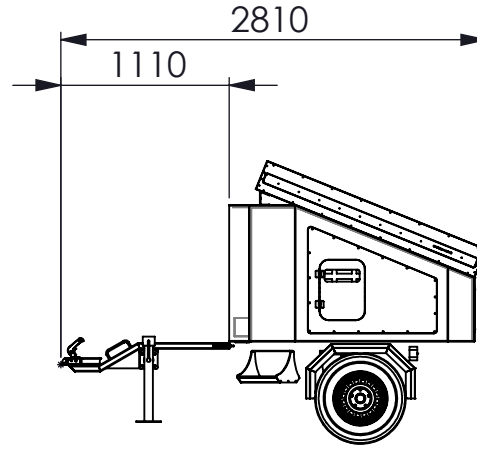
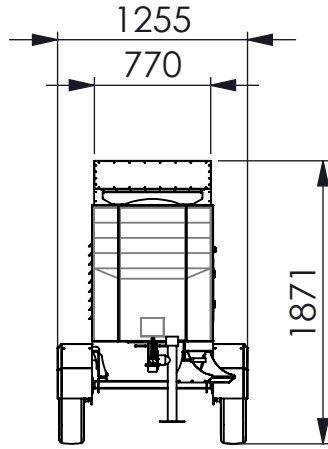


TOL. UNLESS SPECIAL SEE STANDARD TOLERANCE		Scale To Fit				
NOMINAL DIMENSION	0-30	30-100	100-200	200-400	400-1000	
0	± 0.1	± 0.2	± 0.3	± 0.5	± 1	
0.0	± 0.05	± 0.05	± 0.1	± 0.2	± 0.3	
0.00	± 0.01	± 0.02	± 0.05	± 0.05	± 0.1	



Date	29.04.2021	Signature	Rev.	Revision Detail	Rev.Date	By	Material	-
Drawn	Ismail TOPCU		-		-	-	Drawing Description	
Checked	Zafer BOLUKBASI						SOLAR ÇAYLAK	
Approved	Talat SAHIM						Drawing No	Scale
							-	1/1

