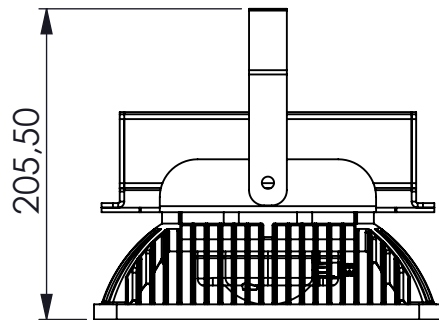
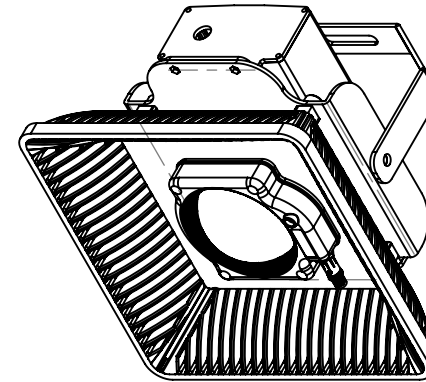
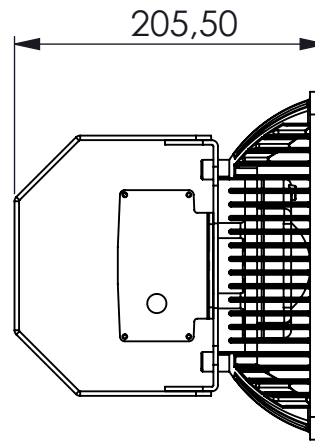
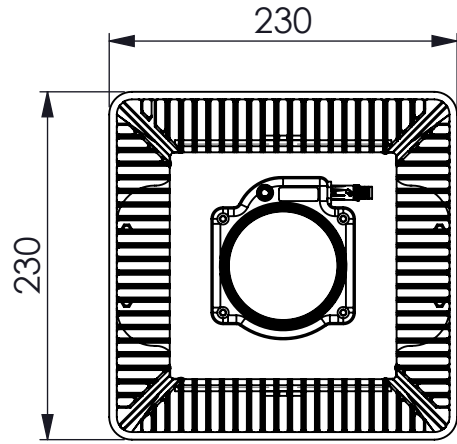



TOL. UNLESS SPECIAL SEE STANDARD TOLERANCE		Scale To Fit				
NOMINAL DIMENSION	0-30	30-100	100-200	200-400	400-1000	
0	± 0.1	± 0.2	± 0.3	± 0.5	± 1	
0.0	± 0.05	± 0.05	± 0.1	± 0.2	± 0.3	
0.00	± 0.01	± 0.02	± 0.05	± 0.05	± 0.1	



Date	28.09.2020	Signature	Rev.	Revision Detail	Rev.Date	By	Material	Aluminium	
Drawn	Baris ILDAS		-		-	-	Drawing Description		
Checked	Dilek TUNCER						ESL30 0402		
Approved	Talat SAHIM						Drawing No	Scale	Sheet
							-	1:5	1/1

Form No: FR.80 İY: 05/05/2017 Rev:00 _/_/