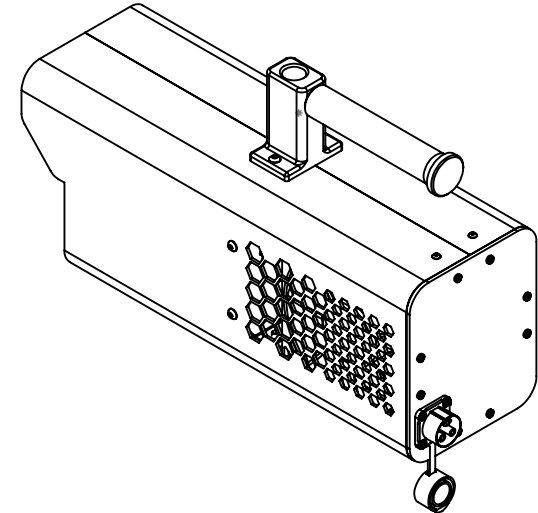
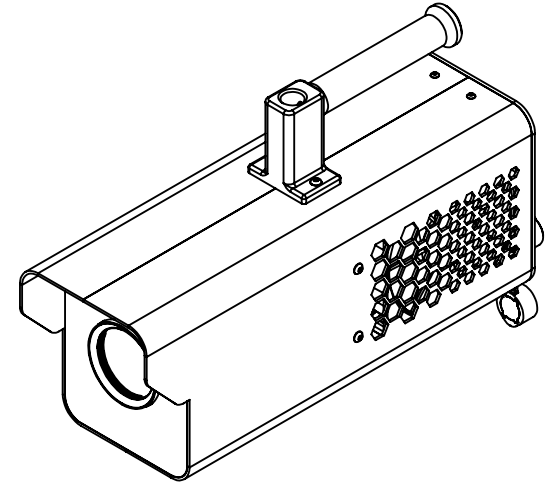
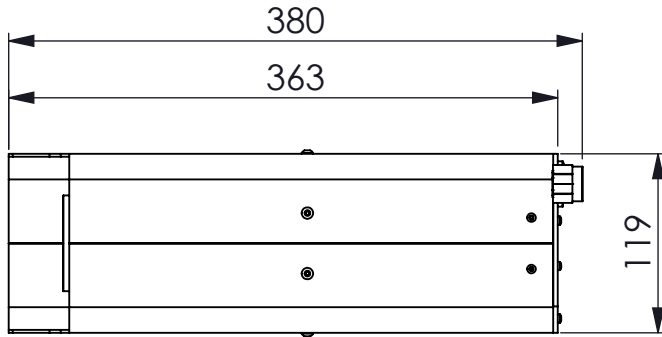
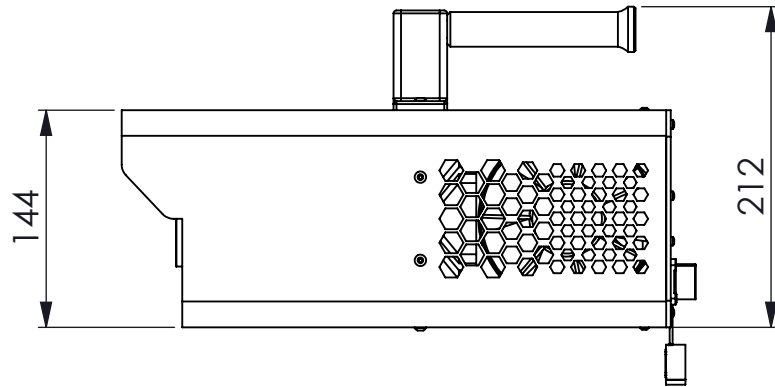



TOL. UNLESS SPECIAL SEE STANDARD TOLERANCE		Scale To Fit				
NOMINAL DIMENSION	0-30	30-100	100-200	200-400	400-1000	
0	± 0.1	± 0.2	± 0.3	± 0.5	± 1	
0.0	± 0.05	± 0.05	± 0.1	± 0.2	± 0.3	
0.00	± 0.01	± 0.02	± 0.05	± 0.05	± 0.1	



Date	21.04.2021	Signature	Rev.	Revision Detail	Rev.Date	By	Drawing Description		
Drawn	Ismail TOPCU		-		-	-	VALHALLA		
Checked	Zafer BOLUKBASI								
Approved	Talat SAHIM								
							Drawing No	Scale	Sheet
							-	-	1/1