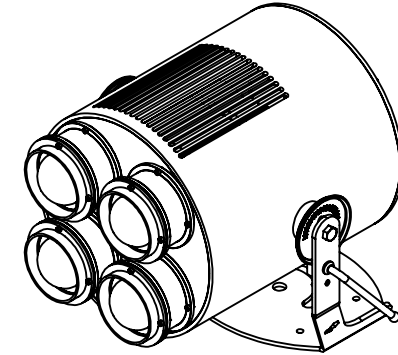
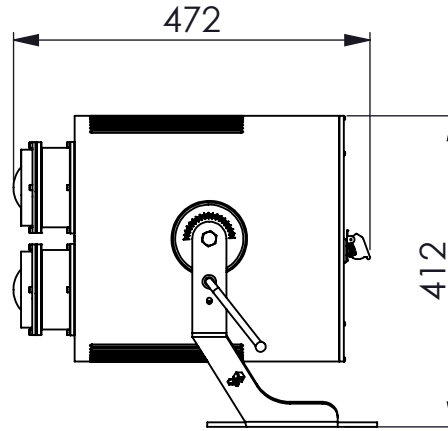
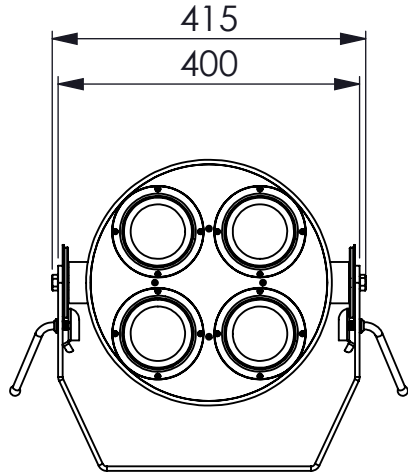


TOL. UNLESS SPECIAL SEE STANDARD TOLERANCE		Scale To Fit			
NOMINAL DIMENSION	0-30	30-100	100-200	200-400	400-1000
0	± 0.1	± 0.2	± 0.3	± 0.5	± 1
0.0	± 0.05	± 0.05	± 0.1	± 0.2	± 0.3
0.00	± 0.01	± 0.02	± 0.05	± 0.05	± 0.1



Date	28.04.2021	Signature	Rev.	Revision Detail	Rev.Date	By	Material	-	
Drawn	Ismail TOPCU		-		-	-	Drawing Description		
Checked	Zafer BOLUKBASI						MOSOTUNYA		
Approved	Talat SAHIM							Drawing No	Scale
							-	-	1/1

Form No: FR.80 İYT: 05/05/2017 Rev:00 \_/\_/\_\_\_